



Nationalagentur Erasmus+ Bildung

European Student Card Initiative – Erasmus Goes Digital ab 2021

Andrea Radl-Melik, Elmar Harringer
Susanna Valentin, Margit Dirnberger

European Student Card Initiative

Erasmus Goes Digital ab 2021

AGENDA

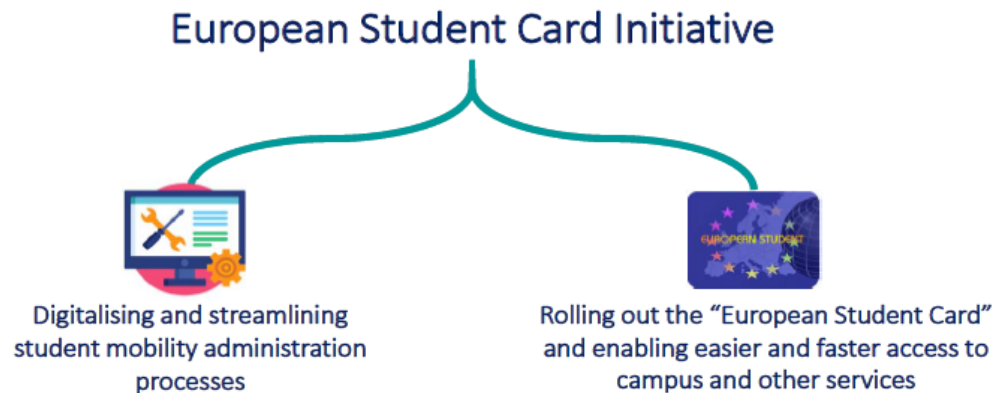
- Was ist die ESCI?
- Zu welcher Gruppe gehört meine HEI?
- Zusammenspiel der Applikationen
- EWP/Dashboard/OLA/IIAM/E+App
- EWP/Dashboard Nutzung in AT
- Vorstellung der einzelnen Tools
 - EWP
 - Dashboard
 - IIAM
 - OLA
 - E+App
 - ESC
- European Student Card / MyAcademicID/ ESI / eIDAS
- Fragen



Andrea Radl-Melik, Elmar Harringer
Susanna Valentin, Margit Dirnberger

Was ist die European Student Card Initiative (ESCI)?

- Digitalisierung sämtlicher Prozesse im Zusammenhang mit Erasmus+ Mobilitätsaktivitäten im Hochschulbereich
- Erleichterung der Mobilität durch eine Europäische Studierendenkarte



ESCI Digital Officers

Bundesministerium für Bildung,
Wissenschaft und Forschung (BMBWF):

Andrea Radl-Melik

(andrea.radl-melik@bmbwf.gv.at)

OeAD Nationalagentur Erasmus+:

Elmar Harringer

(elmar.harringer@oead.at)

Weitergabe von
Informationen der
EK an nationale
Stakeholder

Strukturiertes
Feedback retour
an die EK

ESCI-Begleitgruppe im BMBWF

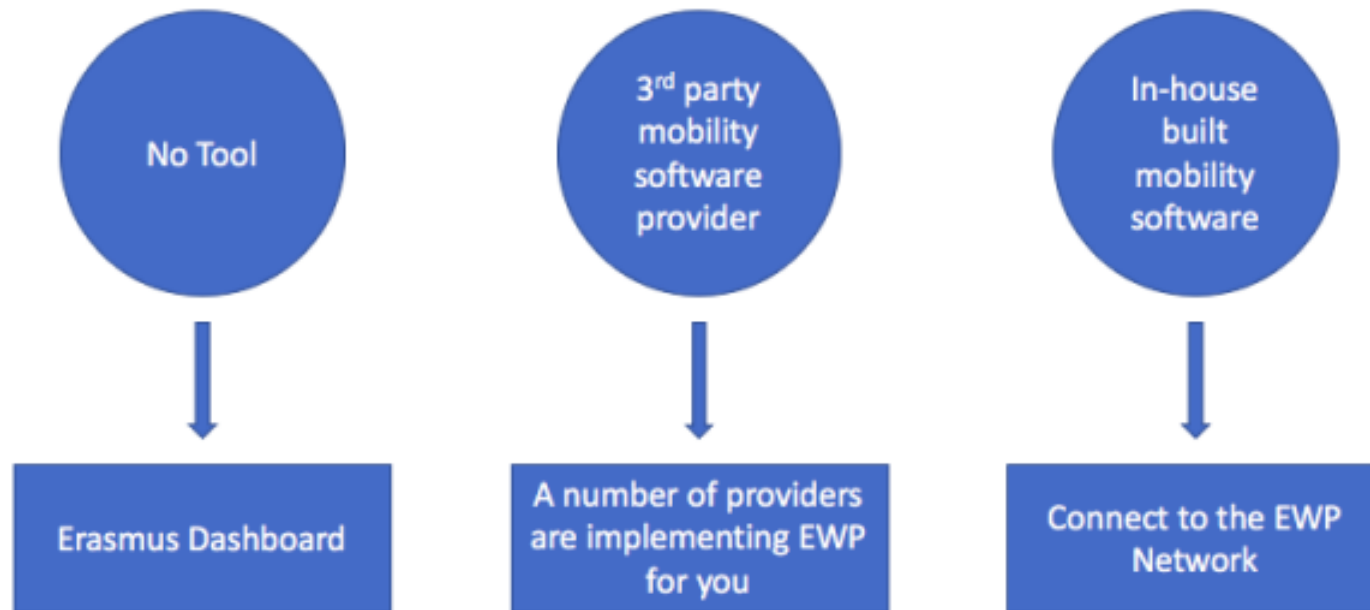
- Gesamthafter Überblick,
auch ressortübergreifend
- Handlungsfelder definieren
und notwendige Schritte
abgestimmt setzen



Involviert sind ExpertInnen des BMBWF aus den Bereichen IT, Hochschulstatistik, Logistik und PädagogInnenausbildung, des BMDW (Abt. für Internationale Beziehungen und Logistik), OeAD GmbH und ESCI Digital Officers

Zu welcher Gruppe gehört meine HEI?

What tool is your university using to manage Erasmus+ mobilities?



EWP / E+ Dashboard / IIAM / OLA / E+App

Erasmus Without Paper (EWP) Netzwerk

Hochschuleinrichtungen:

Erasmus+ Dashboard

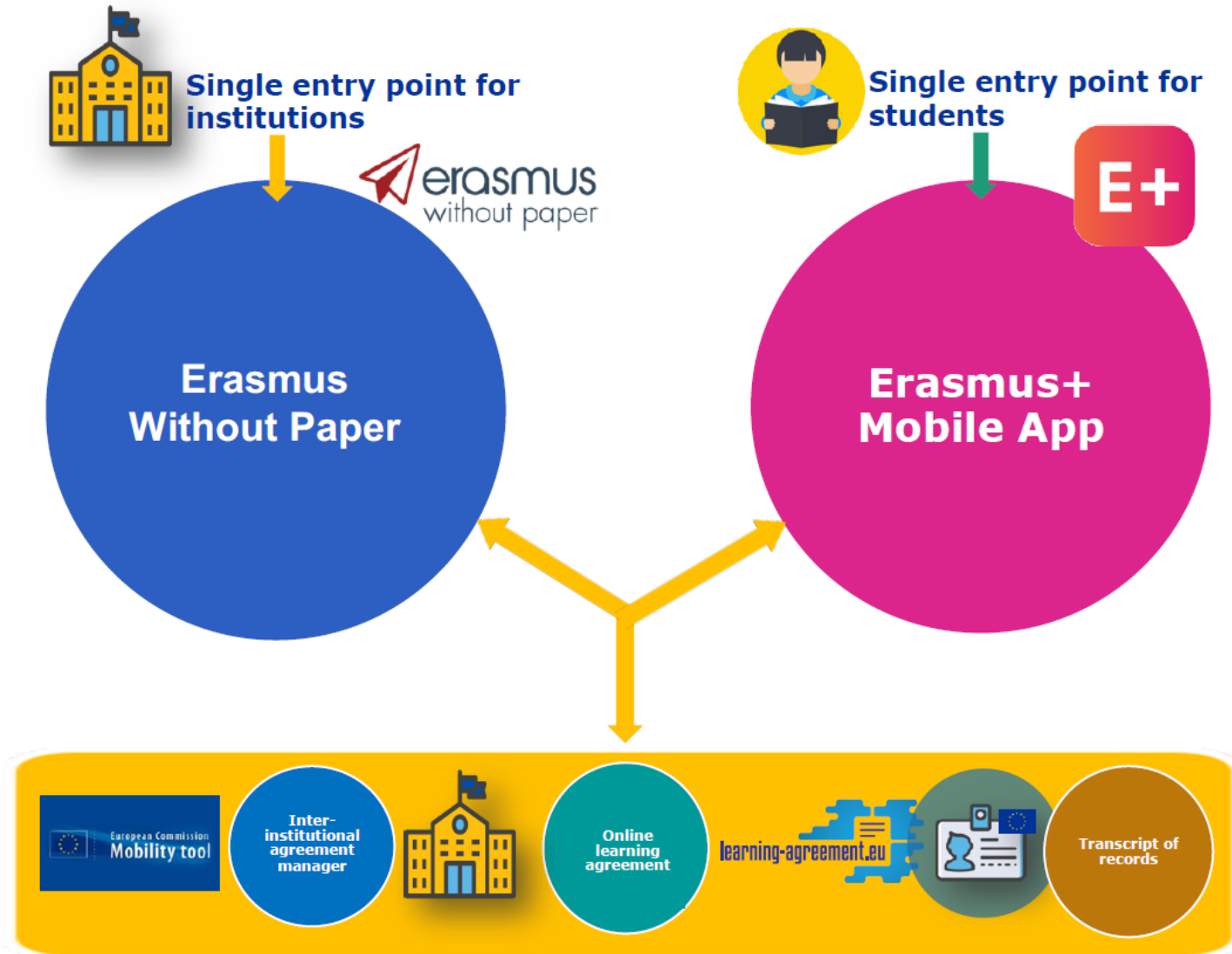
Interinstitutional Agreement Manager (IIAM)

Online Learning Agreement (OLA)

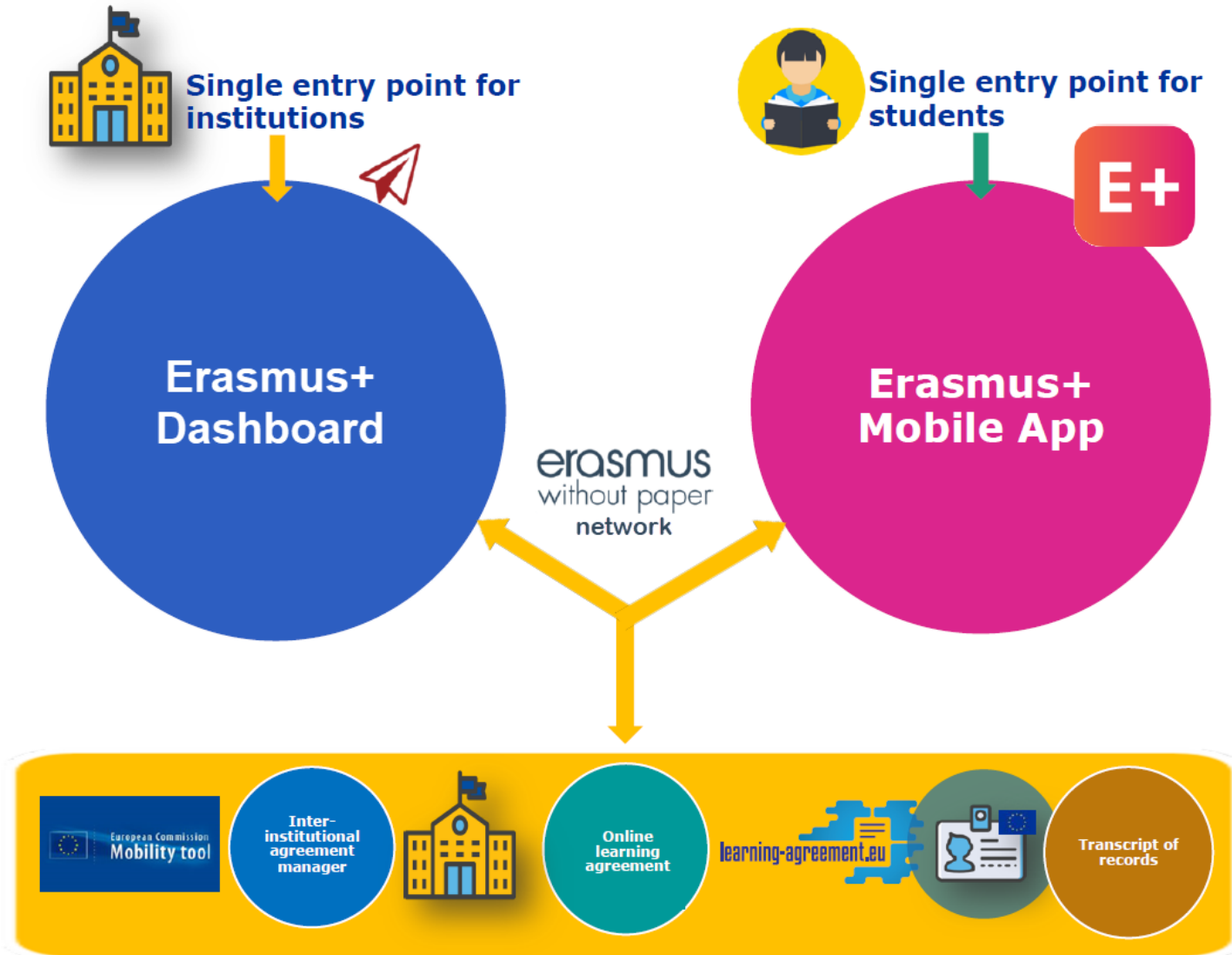
Studierende:

Erasmus+ App für mobile Endgeräte

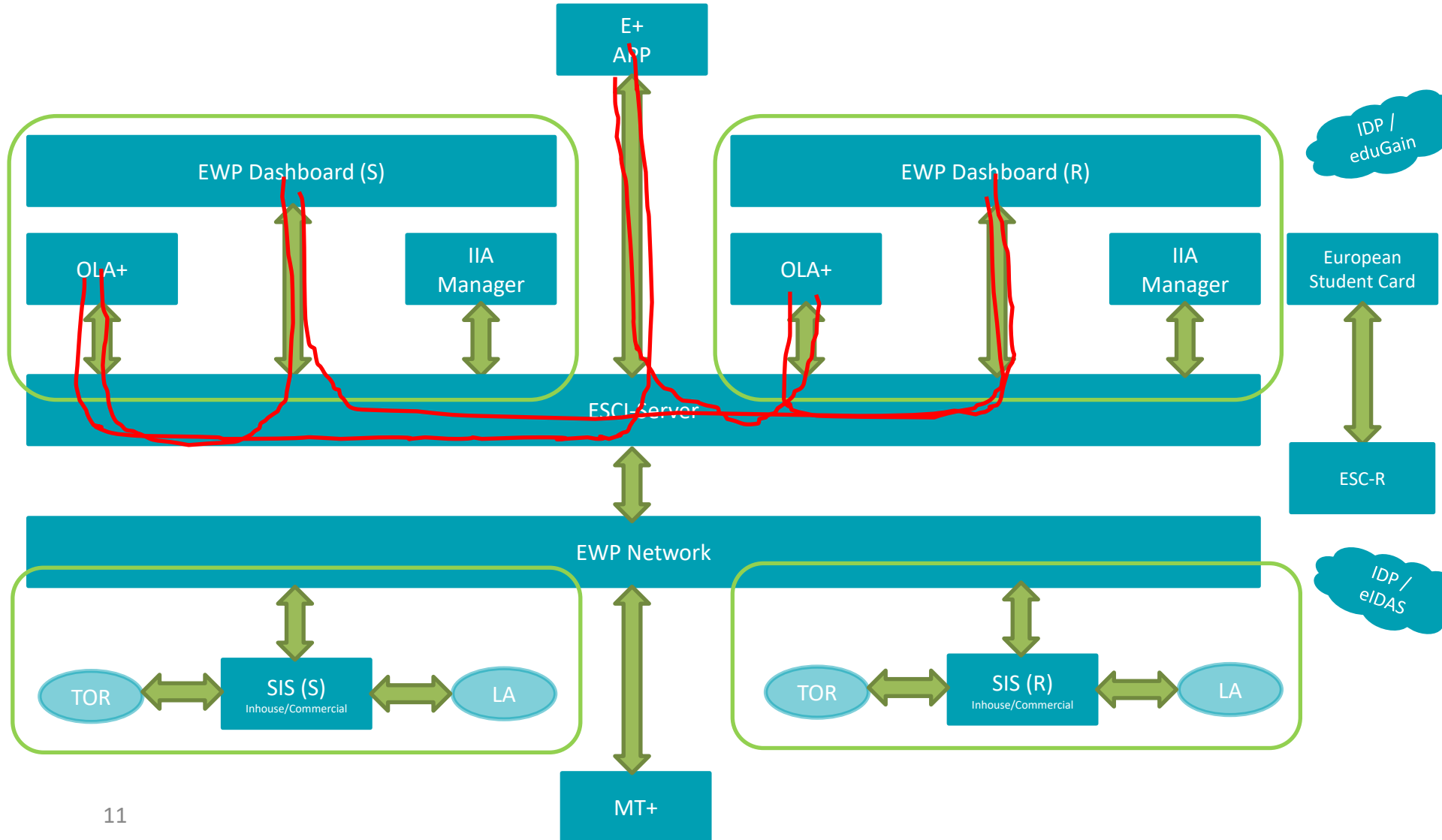
Zusammenspiel der einzelnen Applikationen



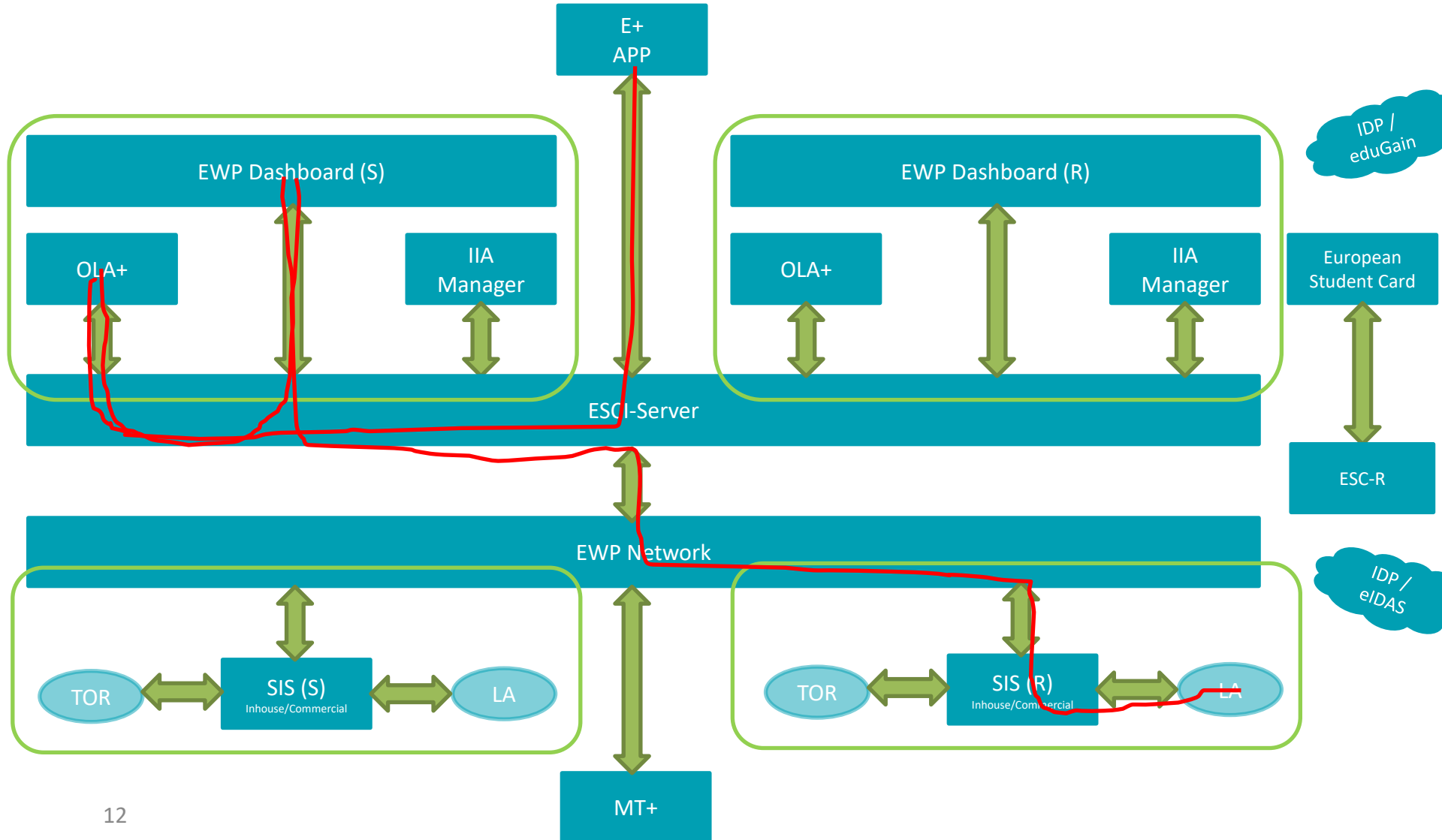
Zusammenspiel der einzelnen Applikationen



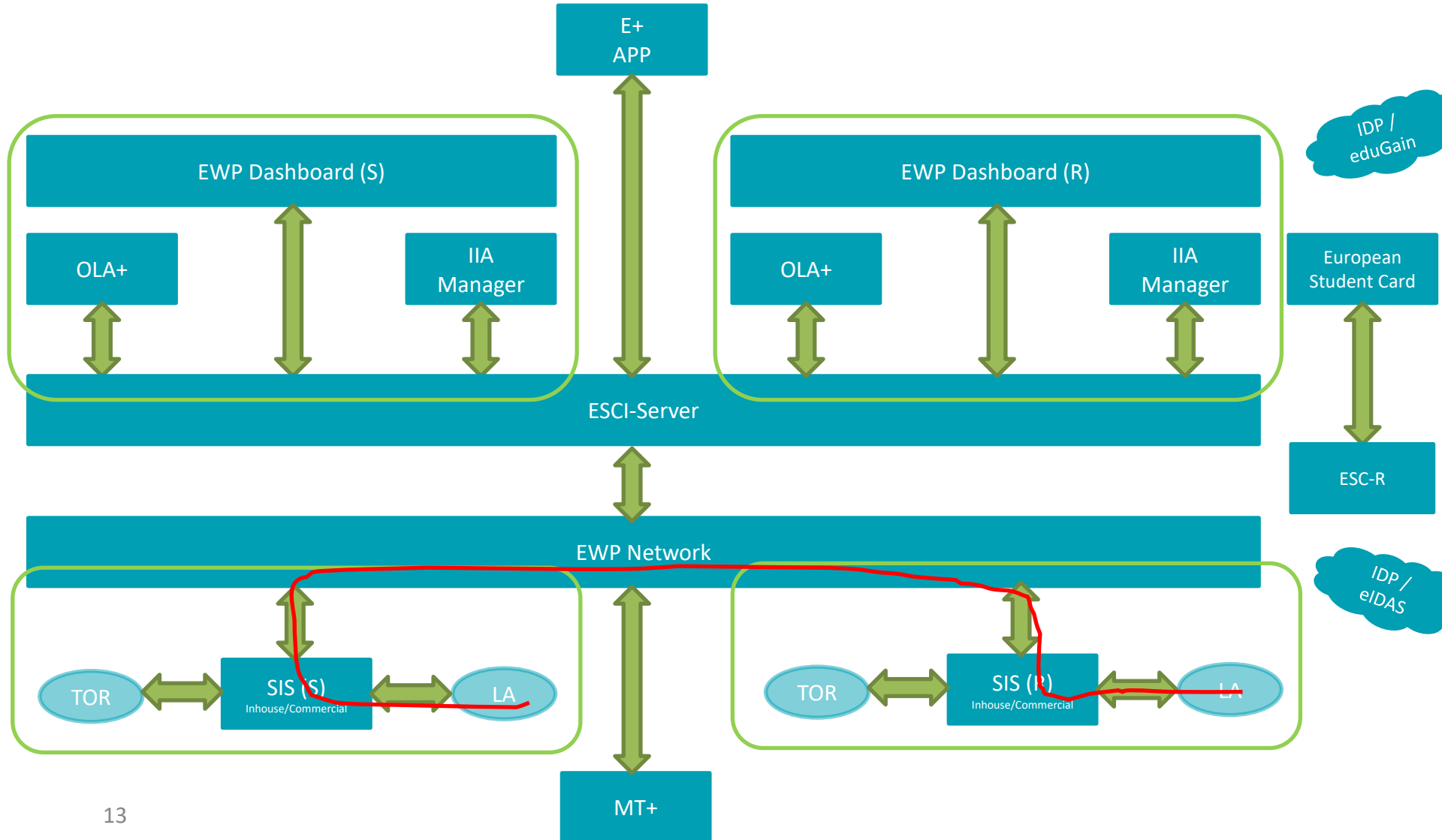
Zusammenspiel der einzelnen Applikationen



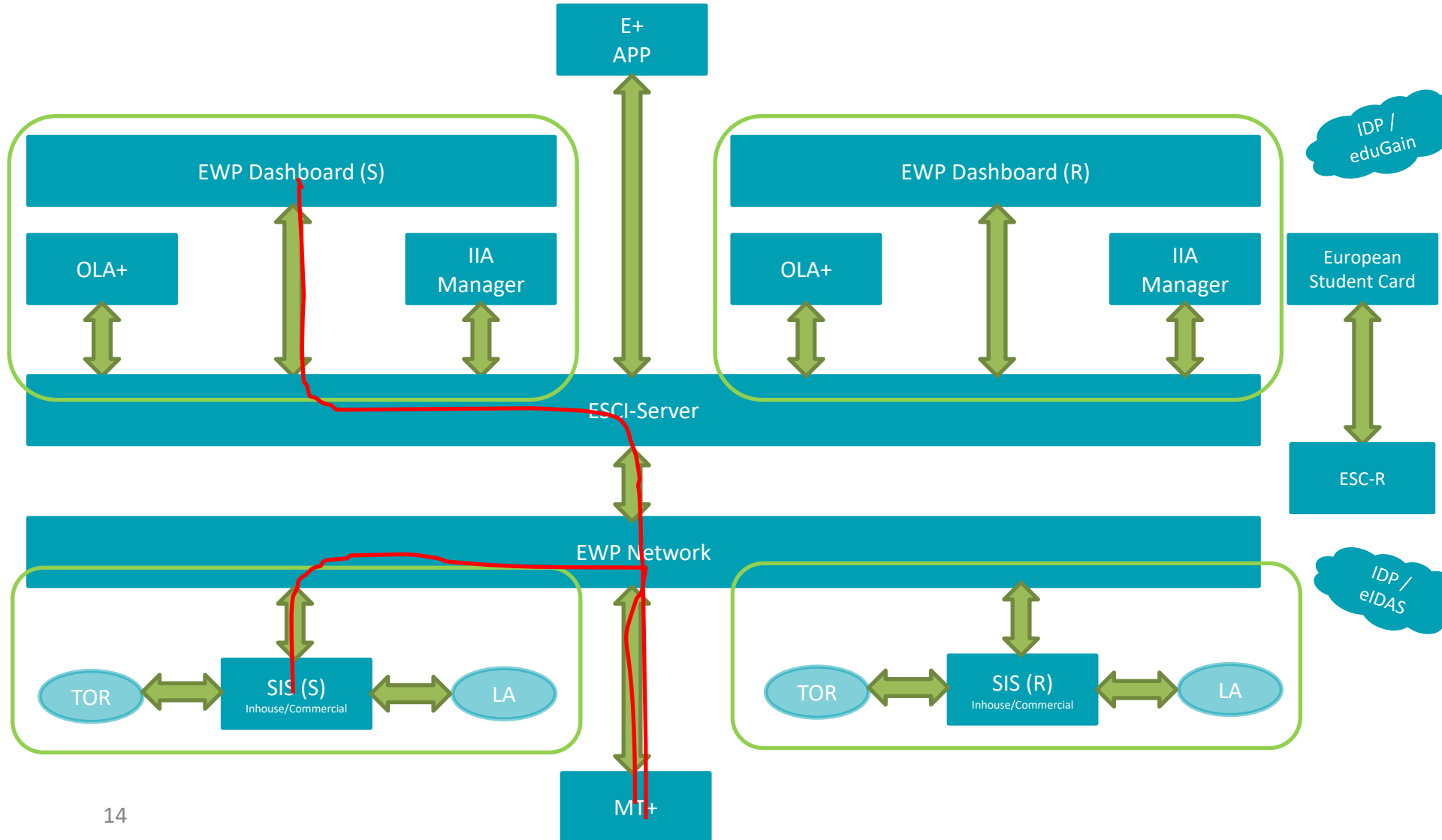
Zusammenspiel der einzelnen Applikationen



Zusammenspiel der einzelnen Applikationen



Zusammenspiel der einzelnen Applikationen



Vorstellung der einzelnen Tools

- EWP
- Dashboard
- IIAM
- OLA
- E+App
- ESC

Erasmus Without Paper (EWP)

- Register der teilnehmenden Hochschulen (vgl. Adressbuch)
- Datenstandard zur Übermittlung von Mobilitätsdaten
- technische Protokolle zur Verbindung und Übermittlung der relevanten Daten (APIs)
- EWP-Netzwerk

Erasmus Without Paper (EWP)

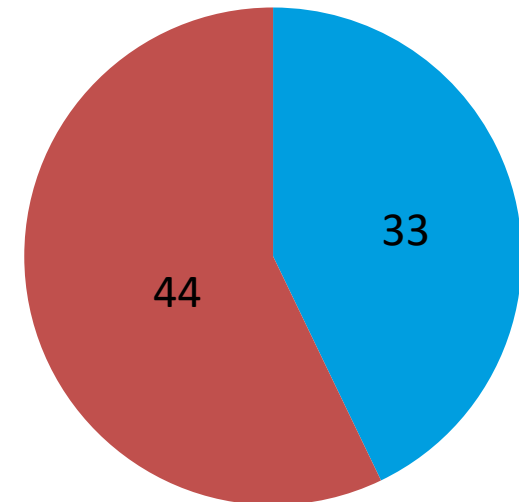
- Stufenweise, verpflichtende Nutzung des EWP Netzwerkes ab dem Call 2021



Erasmus Without Paper (EWP)

- Verbindung via
 - Dashboard
 - Inhouse IT Lösung (API)
 - Kommerzieller Anbieter

EWP Netzwerk



■ Verbunden ■ Nicht verbunden

Erasmus Without Paper (EWP)

- Hochschuleinrichtungen mit „inhouse“ entwickelter Mobilitätsmanagement Software:
 - Kontakt zu IT Abteilung
 - Implementierung der APIs
(Application Programming Interfaces)
 - Verbindung zum EWP Netzwerk
- <https://cc.erasmuswithoutpaper.eu/>
- <https://wiki.esn.org/pages/viewpage.action?pageId=7635107>
- <https://developers.erasmuswithoutpaper.eu/>
- <https://github.com/erasmus-without-paper/>

Vorstellung der einzelnen Tools

- EWP
- Dashboard
- IIAM
- OLA
- E+App
- ESC

Dashboard

The screenshot shows a web browser window with the URL <https://www.erasmus-dashboard.eu/my-university/general-info?lang=null>. The page title is "My University > General Info".

DEMO: Account 1

Fixed data

- Country: Aruba
- City: Oranjestad
- Name in local character set: DEMO: Account 1
- Name in Latin character set: DEMO: Account 1
- PIC: 999999999
- Erasmus code: NL ORANJES03
- Valid until: 31 Dec 2023

Description

DO test account.

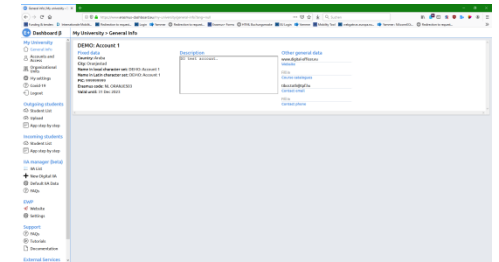
Other general data

- Website: www.digital-officer.eu
- Fill in
- Course catalogues
- Contact email: tibor.toth@tpf.hu
- Fill in
- Contact phone

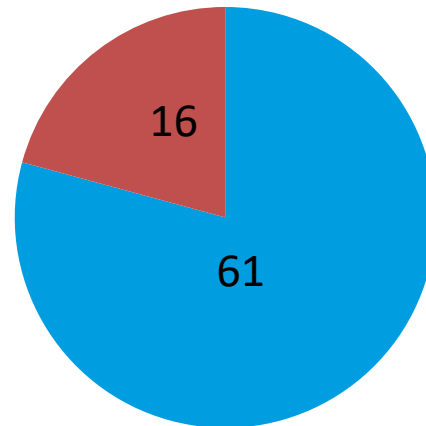
The left sidebar contains navigation links for "My University", "Outgoing students", "Incoming students", "IIA manager (beta)", "EWP", "Support", and "External Services".

<https://www.erasmus-dashboard.eu/>

EWP/Dashboard Nutzung in AT



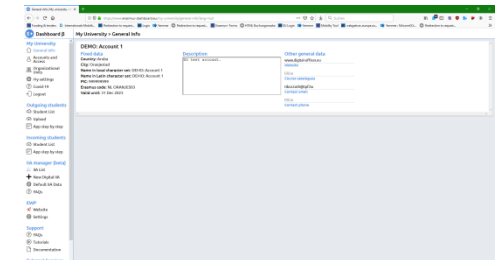
Dashboard in AT



■ Registriert ■ Nicht registriert

Dashboard

- Steuerung der Inhalte anderer Applikationen.
- Für HEIs, die bisher keine eigene Software zur Verwaltung der Mobilitäten verwendet haben.
- Keine technische Beschränkung in Bezug auf die Anzahl der Mobilitäten.
- Frage der Praktikabilität bei einer größeren Anzahl an Mobilitäten.



Dashboard

My University

- General info
- Accounts and Access
- Organizational Units
- My settings
- Covid-19
- Logout

Outgoing students

- Student List
- Upload
- App step by step

Incoming students

- Student List
- App step by step

IIA manager (beta)

- IIA List
- New Digital IIA
- Default IIA Data
- FAQs

EWP

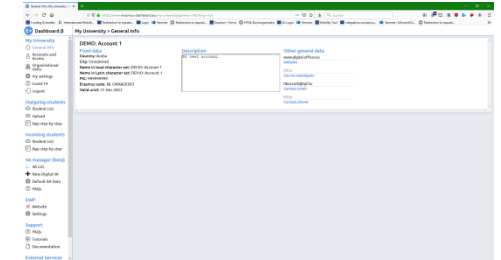
- Website
- Settings

Support

- FAQs
- Tutorials
- Documentation

External Services

- ESC
- EGRACONS



Dashboard

Covid-19

My University

General info

Accounts and Access

Organizational Units

My settings

Covid-19

Logout

My University > Covid 19

To ensure that Higher Education Institutions and students across EU have more information on how the Covid-19 outbreak has impacted the upcoming academic semester, the collector below will publicly inform on the current situation in each HEI and can be updated as the situation evolves:
<https://covid.uni-foundation.eu/>

Is your (host) university currently accepting exchange students for the start of the 2020/2021 academic year?

Unknown No Yes

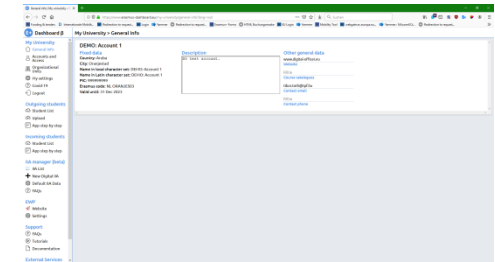
Can international students expect to follow classes online at your (host) university?

Unknown No Yes

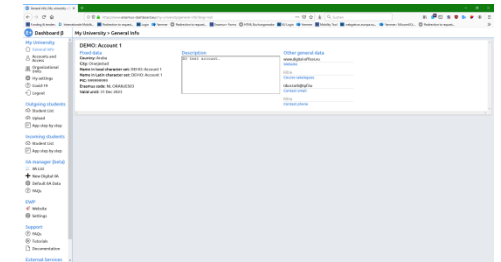
If available, please share a link to your University's information webpage on the impact of Covid-19 on international mobility:

Current URL defined: www.cnn.com

New URL:



Dashboard



<https://covid.uni-foundation.eu/>



Search for a University to see the Erasmus+ and Swiss-European Mobility Programme mobility status for the first semester of 2020/2021

About this tool

Search Tips

UNIVERSITAT WIEN

Accepting exchange students: **Unknown**
Offering online classes: **Unknown**

Updated: 25/6/2020

[More Information](#)

UNIVERSITÄT FÜR BODENKULTUR WIEN

Accepting exchange students: **Yes**
Offering online classes: **Yes**

Updated: 30/6/2020

[More Information](#)

VETERINÄRMEDIZINISCHE UNIVERSITÄT WIEN

Accepting exchange students: **Yes**
Offering online classes: **Yes**

Updated: 18/6/2020

WIRTSCHAFTSUNIVERSITÄT WIEN

Accepting exchange students: **Yes**
Offering online classes: **Unknown**

Updated: 16/6/2020

[More Information](#)

UNIVERSITÄT FÜR ANGEWANDTE KUNST WIEN

Accepting exchange students: **No**
Offering online classes: **Unknown**

Updated: 9/6/2020

[More Information](#)

UNIVERSITÄT FÜR MUSIK UND DARSTELLENDE KUNST WIEN

Accepting exchange students: **Yes**
Offering online classes: **Unknown**

Updated: 18/6/2020

[More Information](#)

Vorstellung der einzelnen Tools

- EWP
- Dashboard
- IIAM
- OLA
- E+App
- ESC

Interinstitutional Agreement Manager (IIAM)

COVID-19: Revised timeline for IIAs



Initial planning

- **February to May 2020:** Testing and preparation
- **May to October 2020:** Active renewal process
- **2021 Call:** Current agreements no longer valid

Revised planning

- **February to October 2020:** Testing and preparation
- **January to October 2021:** Active renewal process
- **2022 Call:** Current agreements no longer valid

Interinstitutional Agreement Manager (IIAM)

IIA Manager > Default IIA Data

E+ Dashboard β

IIA Manager > Default IIA Data

My University

- General info
- Accounts and Access
- Organizational Units
- My settings
- Covid-19
- Logout

Outgoing students

- Student List
- Upload
- App step by step

Incoming students

- Student List
- App step by step

IIA manager (beta)

- IIA List
- New Digital IIA
- Default IIA Data
- FAQs

EWP

- Website
- Settings

Support

- FAQs
- Tutorials
- Documentation

Calendar

Student nominations must reach the receiving institution by:

Autumn Term (dd/mm) Current Value: 05/08 <input type="text" value="new value"/>	Spring Term (dd/mm) Current Value: 05/01 <input type="text" value="new value"/>
---	---

Applications from nominated students must reach the receiving institution by:

Autumn Term (dd/mm) Current Value: 05/08 <input type="text" value="new value"/>	Spring Term (dd/mm) Current Value: 05/01 <input type="text" value="new value"/>
---	---

Application procedure for nominated students

Contact Email Current Value: josef.heriban@dzs.cz <input type="text" value="new value"/>	Contact Phone (+000) Current Value: +420999999999 <input type="text" value="new value"/>	Contact Website Current Value: www.dzs.cz <input type="text" value="new value"/>
---	--	--

Default Weeks Values

For Additional Requirements Decision Current Value: 5 <input type="text" value="new value"/>	For Transcript of Records issue Current Value: 5 <input type="text" value="new value"/>
--	---

[Save Calendar Data](#)

Additional Requirements

Additional Requirement 1

Requirement 1	Details The details...	Website for information www.test.be	Action Delete
---------------	---	--	--

Additional Requirement 2

Requirement 2	Details The details2....	Website for information www.test2.be	Action Delete
---------------	---	---	--

Add New Additional Requirement

<input type="text" value="Requirement"/>	<input type="text" value="Details"/>	<input type="text" value="Website"/>	Add New Additional Requirement
--	--------------------------------------	--------------------------------------	--

Inclusion and Accessibility

The institution will provide support to incoming mobile participants with special needs, according to the requirements of the Erasmus Charter for Higher Education. Information and assistance can be provided by the following contact points and information sources:

No data available

Add New Infrastructure Data

<input type="text" value="Infrastructure"/>	<input type="text" value="Description (optional)"/>	<input type="text" value="Email"/>	<input type="text" value="Phone (+000)"/>	<input type="text" value="Website"/>	Add New Infrastructure Data
---	---	------------------------------------	---	--------------------------------------	---

No data available

Interinstitutional Agreement Manager (IIAM)

IIA Manager > New Digital IIA

E+ Dashboard β

IIA Manager > New Digital IIA

My University

- General info
- Accounts and Access
- Organizational Units
- My settings
- Covid-19
- Logout

Outgoing students

- Student List
- Upload
- App step by step

Incoming students

- Student List
- App step by step

IIA manager (beta)

- IIA List
- New Digital IIA
- Default IIA Data
- FAQs

EWP

- Website
- Settings

Support

- FAQs
- Tutorials
- Documentation

Partners definition

General information entered into the higher education institutions' profile and updated by the higher education institution. The general institutional information about the institution is accessible to students.

Creator Details

Institution Name DEMO: Account 1	Erasmus Code NL ORANJES03	Country Aruba	City Oranjestad
Organizational Unit Select OU			

Contact Name AT Elmar Harringer	Contact Email elmar.harringer@oead.at	Contact Phone
---	---	--------------------------

Websites

General www.digital-officer.eu	Faculty/Faculties 	Course Catalogue
--	------------------------------	-----------------------------

Partner Details

Partner Institution PIC (Search for an

Institution Name (Filled automatically)	Erasmus Code (Filled automatically)	Country (Filled automatically)	City (Filled automatically)
---	---	--	---------------------------------------

Organizational Unit
Select OU

Contact Name (Required field)	Contact Email (Required field)	Contact Phone
---	--	--------------------------

This field may not be empty.

Websites

General 	Faculty/Faculties 	Course Catalogue
--------------------	------------------------------	-----------------------------

Other Details

Academic Year (start) Required	Academic Year (end) Required
--	--

Interinstitutional Agreement Manager (IIAM)

IIA Manager > IIA List

E+ Dashboard β IIA Manager > IIA List									
IIA Code	Status	Creator EC	Partner EC	Creator Sign Date	Creator Sign Contact	Partner Sign Date	Partner Sign Contact	Actions	
NLORANJES03-1582 711038020	Requested partner signature	NL ORANJES03	NL ZWOLLE05	2020-02-26 12:32:59.891	Not found	Not found	Not found	View	
NLORANJES03-1582 797533455	Signed by both parties	NL ORANJES03	B BRUXEL04	2020-02-27 13:23:18.833	Not found	2020-02-27 12:39:15.025	Not found	View	
NLORANJES03-1582 893555184	Signed by both parties	NL ORANJES03	B LOUVAIN01	2020-02-28 12:43:20.986	Not found	2020-03-02 16:48:58.829	Not found	View	
NLORANJES03-1583 153943633	Signed by both parties	NL ORANJES03	DK ARHUS01	2020-03-03 09:22:32.394	Not found	2020-03-03 08:31:42.200	Not found	View	
NLORANJES03-1583 155622243	Signed by both parties	NL ORANJES03	DK ARHUS01	2020-03-02 13:28:45.804	Not found	2020-03-03 08:35:34.590	Not found	View	
NLORANJES03-1583 319900321	Signed by both parties	NL ORANJES03	B LIEGE37	2020-03-06 08:54:30.753	Not found	2020-03-05 14:16:16.547	Not found	View	
NLORANJES03-1583 320675911	Signed by both parties	NL ORANJES03	B BRUXEL86	2020-03-04 11:22:06.224	Not found	2020-03-06 10:03:39.732	Not found	View	
NLORANJES03-1583 331039021	Signed by both parties	NL ORANJES03	B MONS22	2020-03-04 15:17:49.614	Not found	2020-03-04 15:45:25.148	Not found	View	
NLORANJES03-1583 417567428	Signed by both parties	NL ORANJES03	B GENT39	2020-04-08 10:34:39.660	Not found	2020-04-08 08:42:39.643	Not found	View	
NLORANJES03-1583 758358373	Requested partner signature	NL ORANJES03	B NAMUR01	2020-03-09 12:55:48.154	Not found	Not found	Not found	View	

Interinstitutional Agreement Manager (IIAM)

Rückmeldung via Umfrage jetzt oder im Oktober 2020

Inter-institutional Agreement Manager Feedback Survey

GDPR compliance question → consent → continue with survey

Are there any fields or information that you think must be added or adjusted in the cooperation conditions section of the current version of the IIAM?

Open field

Are there any fields or information that you think must be added or adjusted in the default IIA data section of the current version of the IIAM?

Open field

IIAM Testing Phase

Approximately, how many test Inter-Institutional Agreements have you created via the Erasmus Without Paper Dashboard?*

- Fewer than 5
- 5 - 10
- 10 - 20

Interinstitutional Agreement Manager (IIAM)

Verbindung zum EWP Netzwerk

SHAC (SCHema for ACademia) code:

Domian Name der HEI (z.B. univie.ac.at)







The screenshot shows a web interface for the EWP Network. On the left is a navigation sidebar with a blue header 'E+ Dashboard β'. Under 'My University', there are links for 'General info', 'Accounts and Access', 'Organizational Units', 'My settings', 'Covid-19', and 'Logout'. The main content area is titled 'Ewp > Settings'. It contains a blue instruction: 'In order to activate the EWP Network data exchange functionality, please indicate the top-level domain of your higher education institution, also known as SCHAC (e.g.: ub.edu, elte.hu, eur.nl, etc)'. Below this is a note: 'Once this parameter is set it can no longer be updated by the user.' At the bottom, there is a text input field labeled 'Enter SCHAC Code' and a blue button labeled 'Save SCHAC'.

Interinstitutional Agreement Manager (IIAM)


Verbindung zum EWP Netzwerk

E+ Dashboard β

My University

-  General info
-  Accounts and Access
-  Organizational Units
-  My settings
-  Covid-19
-  Logout

Outgoing students

-  Student List

Ewp > Settings

Current SCHAC code for the EWP Network: na1.demo.eu

Do you agree that the Dashboard represents your higher education institution in the EWP Network to exchange inter-institutional agreements with your partners?

No
 Yes

Do you agree that the Dashboard represents your higher education institution in the EWP Network to exchange the static information for inter-institutional agreements with your partners?

No
 Yes

Interinstitutional Agreement Manager (IIAM)

Abschluss der neuen IIAs auch mit Hilfe der eigenen Software bzw. der Software kommerzieller Anbieter möglich (sofern APIs korrekt implementiert wurden und die Verbindung zum EWP Netzwerk hergestellt wurde).

Vorstellung der einzelnen Tools

- EWP
- Dashboard
- IIAM
- OLA
- E+App
- ESC

OLA (1)

- OLA „engine“ im Hintergrund wird neu programmiert
-> Anbindung an das EWP Netzwerk.
- Vorlagen für das LA im neuen Programm werden bis Herbst 2020 fertig gestellt.
- Auch „eigene“ OLA-Lösungen können verwendet werden, wenn sie mit dem EWP Netzwerk verbunden sind.
- API wird nach Fertigstellung der Vorlagen zur Verfügung stehen.

OLA (2)

- Contact-List wird aus dem Dashboard/über EWP aktuell gehalten -> weniger Fehler
- Durch Authentifizierung der Studierenden soll sichergestellt werden, dass keine doppelten LA erstellt werden.
- „Click to validate“ statt Unterschrift
- Versionierung der LAs (track changes)
- Integration der OLA für SMT (Bedenken DSGVO) nach OLA für SMS

OLA (3)

- Launch „OLA Updated“ im Herbst 2020
- Screenshot <https://it.auth.gr/reveal/webinar-ola.html#/10>



Outgoing Students > Student List

Bleibt vorerst unverändert.

E+ Dashboard β

My University

- General info
- Accounts and Access
- Organizational Units
- My settings
- Covid-19
- Logout

Outgoing students

- Student List
- Upload
- App step by step

Incoming students

- Student List

Outgoing Students > Student List

Filters

[Clear all](#)

- Signed before
- Signed during
- Country
- Institution
- Start Mobility
- End Mobility
- Uploaded
- Academic year
- Study cycle
- Subject area

Select	Nr	First name	Last name
<input type="checkbox"/>	2	Elena	Sangion
<input type="checkbox"/>	3	William T.	Ryker priv
<input type="checkbox"/>	4	Jean-Jacques	Rousseau
<input type="checkbox"/>	5	Vero	RETZER
<input type="checkbox"/>	6	Friedrich	Nietzsche
<input type="checkbox"/>	7	firstname	lastname
<input type="checkbox"/>	8	James T	Kirk
<input type="checkbox"/>	9	Søren	Kierkegaard
<input type="checkbox"/>	10	Josef	Heriban
<input type="checkbox"/>	11	Amer	Halab

Vorstellung der einzelnen Tools

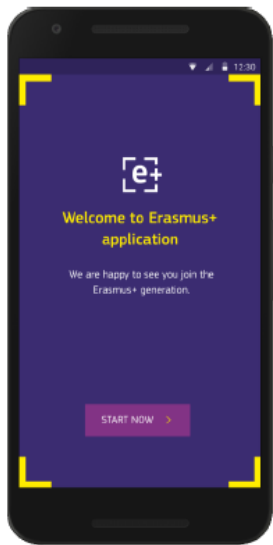
- EWP
- Dashboard
- IIAM
- OLA
- E+App
- ESC

E+App

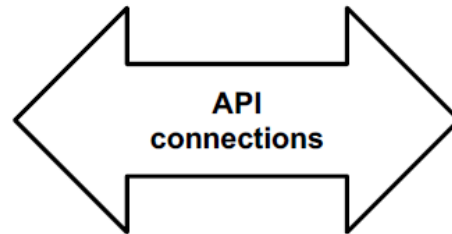
- Soll der „Single Point of entry“ für Studierende werden.
- Kompletter „Life-Cycle“ einer Mobilität über die App.
- Verbindung verschiedener Online-Services.



E+App



*Early stage mock-up. Final design still subject to change.



E+App (1)

- November 2020 bis April 2021 :
 - Sammeln von aktuellen Informationen für die App.
 - Steigern der Bekanntheit der App bei HEIs, Studierenden und Studierendenorganisationen.
 - Bewerbung der App.
- Ende 2020:
 - Veröffentlichung der neuen App → Online Event
- September 2021 bis Dezember 2021:
 - Bewerbung der App.

E+App (2)

- Mitte 2021: 2. Release der neuen App
 - Möglichkeit zur Bewerbung
 - Mehrsprachigkeit der App
 - ToR
 - Digitaler Studierendenausweis in der E+ App (show&go)
- Desktop-Version der App (Barrierefreiheit, OLA)

Vorstellung der einzelnen Tools

- EWP
- Dashboard
- IIAM
- OLA
- E+App
- ESC

European Student Card (ESC)

- Erleichterung der Identifizierung und Authentifizierung der Studierenden
- Einfacherer Zugang zu Serviceeinrichtungen wie Bibliotheken, Mensen o.ä.
- Entweder physische Studierendenkarte und/oder virtuelle Card in der Erasmus+ App via Smartphone



European StudentCard / MyAcademicID / ESI / eIDAS

Der österreichische E-ID Der neue elektronische Identitätsnachweis E-ID gem. E-Government-Gesetz wird vss. im Frühjahr 2021 österreichweit zur Verfügung stehen

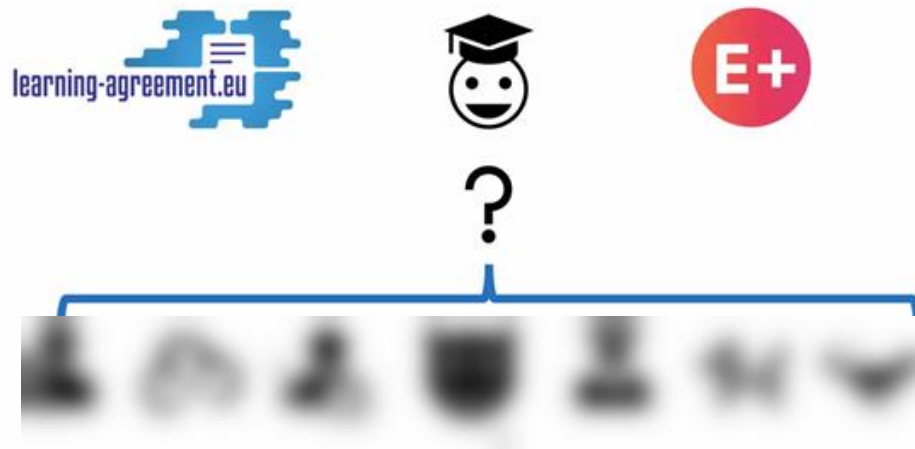


EU-Projekt: Entwicklung eines europäischen eID-Schemas für Studierende

Dieses europäische eID-System soll das Ergebnis der Integration von eduGAIN, eIDAS und dem European Student Identifier des ESC Projekts sein.

European StudentCard (ESC) / MyAcademicID / ESI / eIDAS

- Verwendung des ESI vermutlich schon früher notwendig.
- Verwendung des ESI im Rahmen von OLA und E+App zur Anmeldung (Authentifizierung) und eindeutigen Zuordnung der Studierenden.



Fragen

???

Weitere Informationen unter

<https://bildung.erasmusplus.at/index.php?id=4851>

[Erasmus+ Bildung](#) | [Hochschulbildung](#) | [Erasmus+ 2021-2027](#) | Erasmus Going Digital

Erasmus Going Digital - European Student Card Initiative

Die Digitalisierung im Programm Erasmus+ ist ein großes Thema für die Zukunft der europäischen Hochschulzusammenarbeit. Um hier digitale Entwicklungen zeitgerecht zum Start des neuen Programms zur Verfügung zu haben, hat die Europäische Kommission bereits verschiedene Projekte unterstützt. Diese einzelnen Projekte wurden nun unter der "[European Student Card Initiative](#)" zusammengefasst, deren Umsetzung in der Europäischen Kommission einen hohen Stellenwert besitzt.

Diese Initiative soll die bestehenden Einzelprojekte miteinander verknüpfen und so zu einer Reduktion des Verwaltungsaufwandes im Programm Erasmus+ führen.

Eine Herausforderung dabei ist, gemeinsame Werkzeuge zu entwickeln, die alle Prozesse an allen teilnehmenden Hochschuleinrichtungen gleichermaßen abbilden können. Daher wurden die in den einzelnen Projekten zu Grunde gelegten Prozesse auf ein Minimum reduziert. Dadurch sind alle Hochschuleinrichtungen aufgefordert, die an ihrer Einrichtung implementierten Prozesse dahingehend zu analysieren, inwieweit sich eine Vereinfachung positiv auf alle Ebenen auswirken könnte. An der Hochschuleinrichtung sollten Sie sich immer die Frage stellen: Sind wirklich alle Verwaltungsschritte in der momentanen Form notwendig? Durch welche Änderung könnte man den einen oder anderen Schritt weglassen?

Die "European Student Card Initiative" möchte:

Nationalagentur Erasmus+ Bildung Hochschulbildung

✉ hochschulbildung@oead.at

☎ +43 1 53408-0

🔗 bildung.erasmusplus.at/hochschulbildung/

Ebendorferstraße 7
1010 Wien

Quicklinks

🔗 [European Student Card Initiative](#)

🔗 [Erasmus Without Paper \(EWP\)](#)

🔗 [Erasmus+ Dashboard](#)

🔗 [Online Learning Agreement \(OLA\)](#)

🔗 [Erasmus+ App für mobile Endgeräte](#)

🔗 [EMREX](#)

🔗 [European Student Card](#)

🔗 [MyAcademicID](#)

Info-Veranstaltungen

Elmar Harringer

Internationale Hochschulkooperation

Erasmus+ Hochschule

OeAD-GmbH

Ebendorferstraße 7

1010 Wien

T

F

E

W